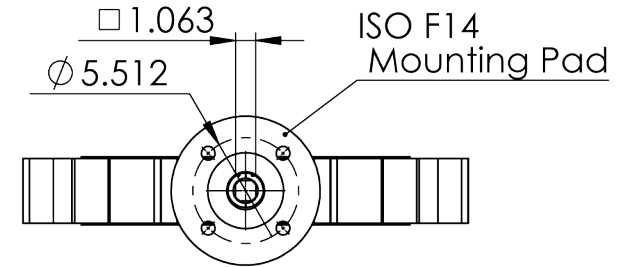
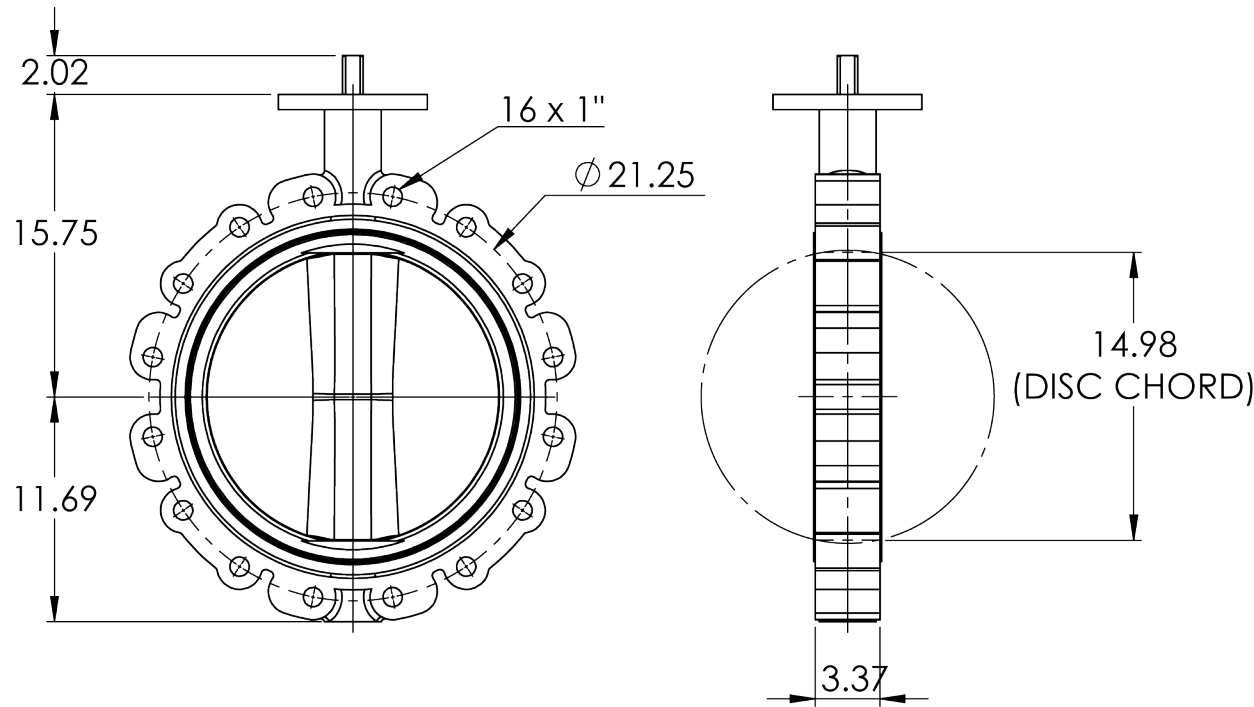


**Standards:**

- Valves designed to API-609, MSS-SP-67, MSS-SP-25
- Install between standard ANSI Class 125/150 Flanges
- Top works designed to ISO 5211

REVISIONS			
REV.	DESCRIPTION	DATE	APPROVED
1	Updated Pressure rating	12/6/13	SE



TECHNICAL SPECIFICATIONS	
Nominal Size (in)	16"
Nominal Pressure	150 psi
Body Test Pressure	225 psi
Sealing Test Pressure	165 psi
Application Temp.	EPDM < 250°F EPDM/PTFE < 220°F
Body Material	ASTM A351 grade CF8M
Disc Material	Various (SS, DI/PTFE, SS/PTFE)
Shaft Material	431 SS

**PROPRIETARY AND CONFIDENTIAL**  
THE INFORMATION CONTAINED IN THIS DRAWING IS THE SOLE PROPERTY OF DELTA T PRODUCTS. ANY REPRODUCTION IN PART OR AS A WHOLE WITHOUT THE WRITTEN PERMISSION OF DELTA T PRODUCTS IS PROHIBITED.

		UNLESS OTHERWISE SPECIFIED:	NAME	DATE
		DIMENSIONS ARE IN INCHES TOLERANCES: FRACTIONAL ± ANGULAR: MACH ± BEND ± TWO PLACE DECIMAL ± THREE PLACE DECIMAL ±	DRAWN SE	7/21/13
		INTERPRET GEOMETRIC TOLERANCING PER:	CHECKED	
		MATERIAL	ENG APPR.	
		FINISH	MFG APPR.	
NEXT ASSY	USED ON		Q.A.	
APPLICATION		DO NOT SCALE DRAWING	COMMENTS:	

TITLE:  16" Lug Stainless Steel Butterfly Valve		
SIZE <b>A</b>	DWG. NO. 651-160-XXX	REV <b>1</b>
SCALE: 1:10	WEIGHT:	SHEET 1 OF 1