

No.	Part	Soft Seated		Metal Seated		Fire Safe	
		Carbon steel	Stainless steel	Carbon steel	Stainless steel	Carbon steel	Stainless steel
01	BODY	WCB	CF8M	WCB	CF8M	WCB	CF8M
02	DISC	CF8M		CF8M+HCR		CF8M	
03	STEM	17-4PH		17-4PH		17-4PH	
04	SEAT	TFM1600		SS316		TFM1600+SS316	
05	SEAT RETAINER	1020	SS316	1020	SS316	1020	SS316
06	PACKING	PTFE(V-PACKING)		GRAPHITE		GRAPHITE	
07	BUSH(BEARING)	SS304+Teflon	SS316+Teflon	SS304+HCR	SS316+HCR	SS304+HCR	SS316+HCR
08	GLAND BRIDGE	SS304		SS304		SS304	
09	GLAND RING	SS304+HCR		SS304+HCR		SS304+HCR	

871 - Dimension / API 609 B /ASME B16.5 Class600 / Lug type [unit : mm]

Size	L	n	BCD	T	H1	H2	H3	F	E	C	KEY BASE	TOP MOUNT
3"	54	8	ø168.3	3/4" UNC	125	167	18	14x14	30	ø19	6x6	ISO 5211-F10
4"	64	8	ø215.9	7/8" UNC	145	195	18	14x14	42	ø19	6x6	ISO 5211-F10
6"	78	12	ø292.1	1" UNC	205	245	35	27x27	57	ø35	10x8	ISO 5211-F12
8"	102	12	ø349.2	1 1/8" 8UN	240	320	36	27x27	75	ø45	14x9	ISO 5211-F14

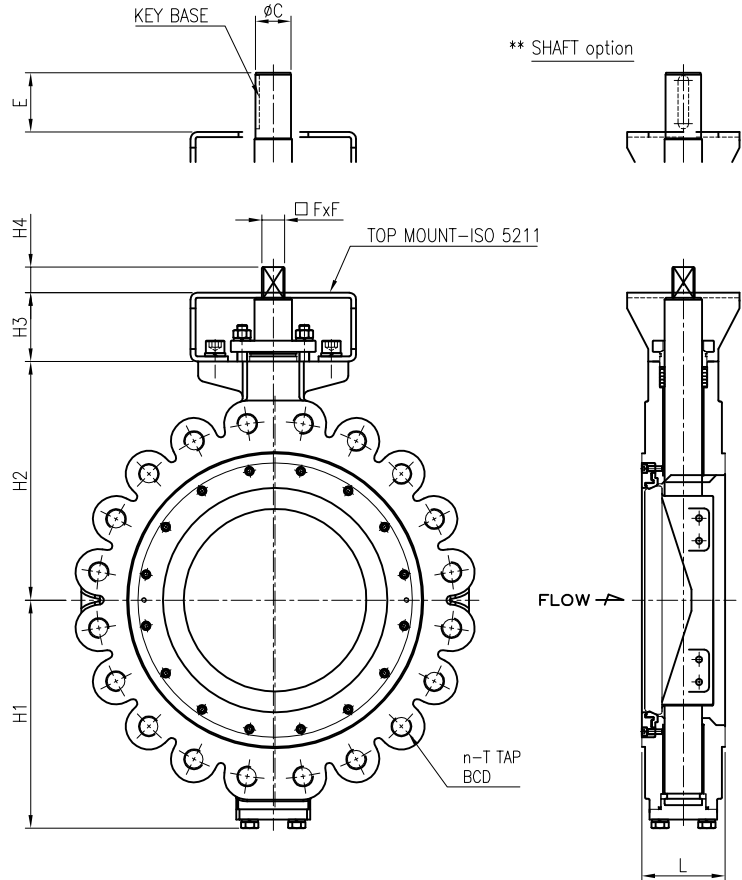
NOTES

- DESIGN STD. : API 609 B
- Mating FLANGE : ASME B16.5 CLASS600

Rev. No.	DATE	DESCRIPTION	DRN.	APP.
△	20.04.22	FOR REFERENCE	JH,YU	MJ,KWON

DESCRIPTION
H/P BUTTERFLY LUG VALVE
871 - 3~8-60LB
CLASS600 BARE STEM

DWG. No.	-3~8-60LB-010	SCALE	N/A
TEST PRESSURE		SHELL	SEAT
	HYDROSTATIC	kgf/cm ²	kgf/cm ²
	AIR	kgf/cm ²	kgf/cm ²



** SHAFT option

No.	Part	Soft Seated		Metal Seated		Fire Safe	
		Carbon steel	Stainless steel	Carbon steel	Stainless steel	Carbon steel	Stainless steel
01	BODY	WCB	CF8M	WCB	CF8M	WCB	CF8M
02	DISC	CF8M		CF8M+HCR		CF8M	
03	STEM	17-4PH		17-4PH		17-4PH	
04	SEAT	TFM1600		SS316		TFM1600+SS316	
05	SEAT RETAINER	1020	SS316	1020	SS316	1020	SS316
06	PACKING	PTFE(V-PACKING)		GRAPHITE		GRAPHITE	
07	BUSH(BEARING)	SS304+Teflon	SS316+Teflon	SS304+HCR	SS316+HCR	SS304+HCR	SS316+HCR
08	GLAND BRIDGE	SS304		SS304		SS304	
09	GLAND RING	SS304+HCR		SS304+HCR		SS304+HCR	
10	BRACKET	Carbon steel		Carbon steel		Carbon steel	

871 - Dimension / API 609 B/ ASME B16.5 Class600 / Lug type

[unit : mm]

Size	L	n	BCD	T	H1	H2	H3	H4	F	E	C	KEY BASE	TOP MOUNT
10"	117	16	ø431.8	1 1/4" 8UN	280	290	90	36	27x27	75	ø45	14x9	ISO 5211-F14,F16
12"	140	20	ø489.0	1 1/4" 8UN	323	355	95			100	ø60	18x11	ISO 5211-F14,F16
14"	155	20	ø527.0	1 3/8" 8UN	370	380	95			102	ø65	18x11	ISO 5211-F14,F16
16"	178	20	ø603.2	1 1/2" 8UN	405	435	100			105	ø75	20x12	ISO 5211-F14,F16
18"	200	20	ø654.0	1 5/8" 8UN	450	470	110			105	ø75	20x12	ISO 5211-F25
20"	216	24	ø723.9	1 5/8" 8UN	490	500	125			130	ø95	25x14	ISO 5211-F25/F30
24"	232	24	ø838.2	1 7/8" 8UN	585	550	130			130	ø95	25x14	ISO 5211-F25/30

NOTES

- DESIGN STD. : API 609 B
- Mating FLANGE : ASME B16.5 CLASS600

Rev. No.	DATE	DESCRIPTION	DRN.	APP.
0	20.04.22	FOR REFERENCE	JH,YU	MJ,KWON

DESCRIPTION

H/P BUTTERFLY LUG VALVE
871-10~24-60LB
CLASS600 BARE STEM

DWG. No.	871-10~24-60LB-011	SCALE	N/A
TEST PRESSURE		SHELL	SEAT
	HYDROSTATIC	kgf/cm ²	kgf/cm ²
	AIR	kgf/cm ²	kgf/cm ²