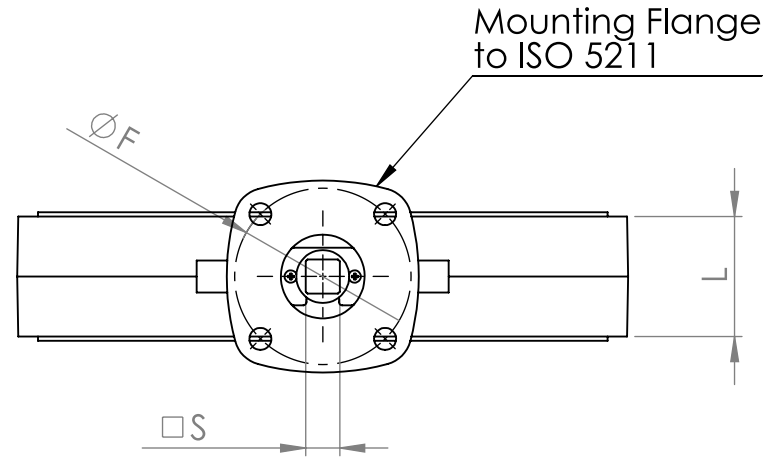


Standards:

- Valves designed to API-609, MSS-SP-67, SM-SP-25
- Install between standard ANSI Class 125/150 Flanges



Valve Size	L	D1	D2	H1	H2	H3	S (mm)	F(mm)	ISO
14"	3.07	18.75	17.32	10.31	12.99	1.65	22	102	F10
16"	4.02	21.25	19.09	11.77	14.17	2.01	27	140	F14
18"	4.49	22.75	21.26	12.80	15.55	2.01	27	140	F14
20"	5.00	25.00	23.23	14.17	17.32	2.52	27	165	F16
24"	6.06	29.50	28.15	16.54	19.69	2.76	36	165	F16

TECHNICAL SPECIFICATIONS	
Nominal Size (in)	14" thru 24"
Nominal Pressure	150 psi
Body Test Pressure	225 psi
Sealing Test Pressure	110% Rated Pressure
Application Temp.	EPDM < 250°F
	BUNA < 220°F
Body Material	Cast or Ductile Iron
Disc Material	Various (NP-DI, AB, SS, NY11)
Shaft Material	SS416 to ASTM A582

UNLESS OTHERWISE SPECIFIED: DIMENSIONS ARE IN INCHES SURFACE FINISH: TOLERANCES: LINEAR: ANGULAR:				FINISH:			DEBUR AND BREAK SHARP EDGES		
	NAME	SIGNATURE	DATE	REV	DATE	DESCRIPTION			
DRAWN	SE		1/8/2014						
CHK'D									
APPV'D									
MFG									
Q.A						MATERIAL:			
REVISION	0	DO NOT SCALE DRAWING		WEIGHT:					



DELTA T PRODUCTS

TITLE:
050 Series 14-24" Wafer Butterfly Valves

DWG NO.
050 Series 14-40in

8.5x11"

SCALE:1:6 SHEET 1 OF 1