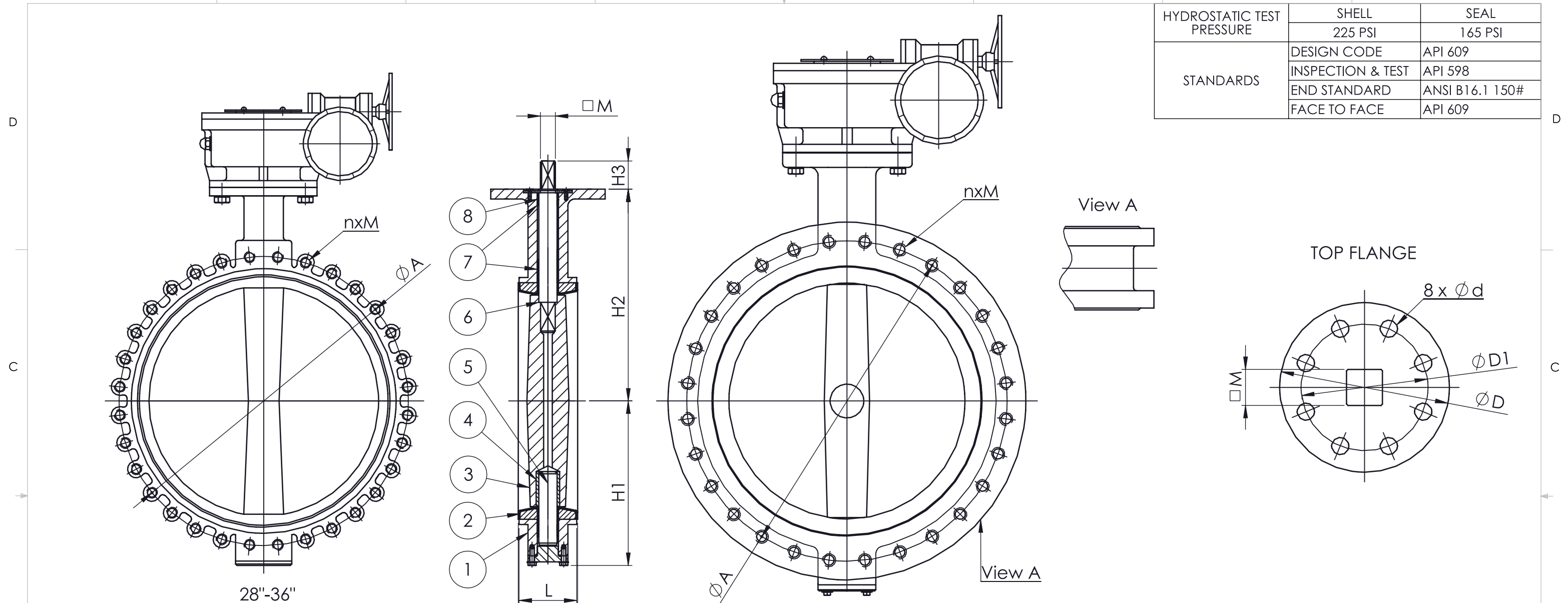


HYDROSTATIC TEST PRESSURE	SHELL	SEAL
	225 PSI	165 PSI
STANDARDS	DESIGN CODE	API 609
	INSPECTION & TEST	API 598
	END STANDARD	ANSI B16.1 150#
	FACE TO FACE	API 609



8	O-RING	EPDM	1
7	BUSHING	PTFE	1
6	STEM	SS416/SS304	1
5	STEM	SS416/SS304	1
4	BUSHING	PTFE	1
3	DISC	SS316/DI/AL-BZ	1
2	SEAT	EPDM/NBR	1
1	BODY	DI	1
ITEM	DESCRIPTION	MATERIAL	QTY

SIZE	H1	H2	H3	L	L1	φ A	nxM	D	D1	φ d (mm)	□ M (mm)
28"	20.5	24.6	2.95	6.50	6.65	34.00	28 x 1-1/4"-7 UNC	11.8	10.00	18	46
30"	22.0	25.6	2.95	6.57	6.81	36.00	28 x 1-1/4"-7 UNC	11.8	10.00	18	46
32"	23.4	26.5	3.35	7.48	7.68	38.50	28 x 1-1/2"-6 UNC	11.8	10.00	18	46
36"	24.5	26.9	3.35	7.99	8.31	42.75	32 x 1-1/2"-6 UNC	11.8	10.00	18	55
40"	28.3	31.5	5.51	8.58	9.02	47.25	36 x 1-1/2"-6 UNC	11.8	10.00	18	60
42"	30.6	33.8	5.91	9.88	10.28	49.50	36 x 1-1/2"-6 UNC	11.8	10.00	18	66
48"	34.0	37.0	5.91	10.87	11.26	56.00	44 x 1-1/2"-6 UNC	13.8	11.73	22	75

UNLESS OTHERWISE SPECIFIED:
 DIMENSIONS ARE IN INCHES
 TOLERANCES:
 FRACTIONAL ±
 ANGULAR: MACH ± BEND ±
 TWO PLACE DECIMAL ±
 THREE PLACE DECIMAL ±

INTERPRET GEOMETRIC TOLERANCING PER:
 MATERIAL

FINISH

DO NOT SCALE DRAWING

NAME	DATE
DRAWN SE	1/7/2014
CHECKED	
ENG APPR.	
MFG APPR.	
Q.A.	
COMMENTS:	



TITLE: 28"-48" 051 Series BFV

SIZE	DWG. NO.	REV
B	051-280_480-XXX	0

SCALE: 1:2 WEIGHT: SHEET 1 OF 1