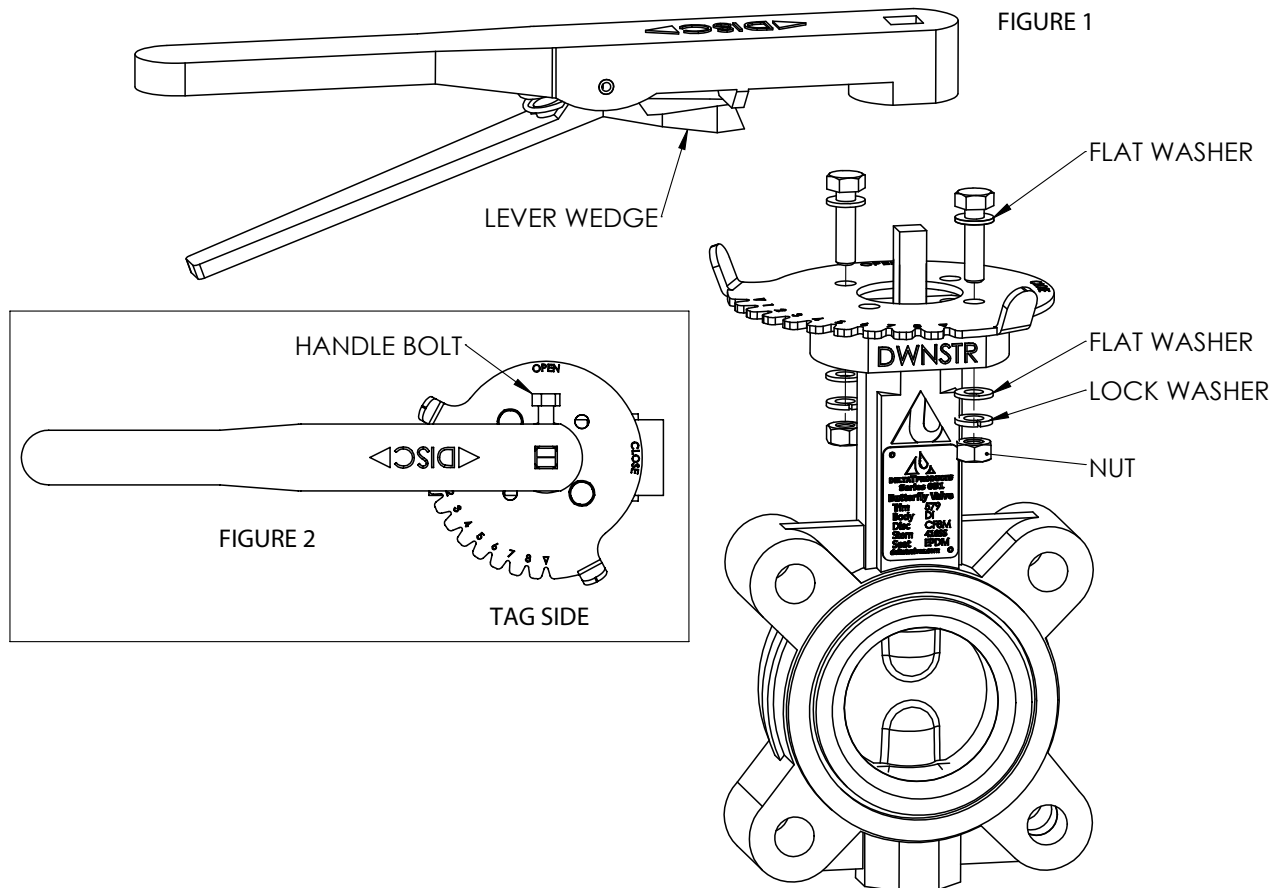




Figure 1



Installation Steps

1. WITH VALVE IN CLOSED POSITION, ATTACH NOTCH PLATE TO VALVE ACCORDING TO FIGURE 1, LEAVING BOLTS LOOSE
2. ATTACH HANDLE WITH LEVER WEDGE IN THE 0 (CLOSED) POSITION
3. TIGHTEN HANDLE BOLT SECURING IT TO THE STEM
4. WITH NOTCH PLATE STILL LOOSE AND WEDGE ENGAGED, SEAT VALVE DISC TO DESIRED CLOSED POSITION AND TIGHTEN NOTCH PLATE